

BC 161,6 UT HBUS BK


Order No.: 2278500



<http://eshop.phoenixcontact.de/phoenix/treeViewClick.do?UID=2278500>

Lower part for installation housing BC 161,6...

Commercial data

GTIN (EAN)	 4 046356 299497
sales group	F061
Pack	10 pcs.
Customs tariff	85472000
Catalog page information	Page 556 (CC-2009)

Product notesWEEE/RoHS-compliant since:
06/04/2008

<http://www.download.phoenixcontact.com>
Please note that the data given here has been taken from the online catalog. For comprehensive information and data, please refer to the user documentation. The General Terms and Conditions of Use apply to Internet downloads.

Technical data**General**

Housing type	Installation component housing
Housing material	polycarbonate
Color	black

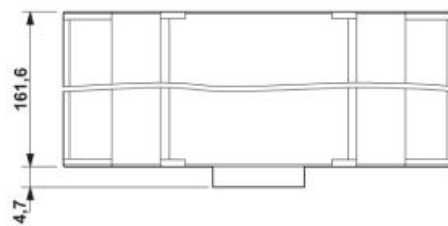
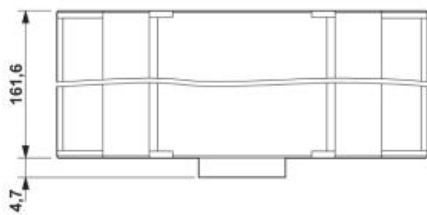
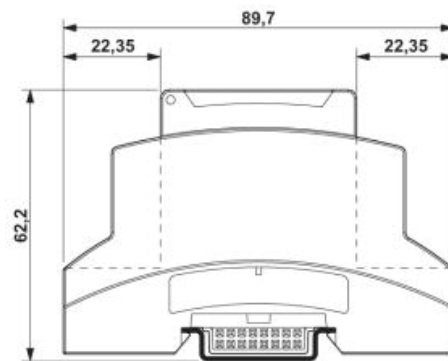
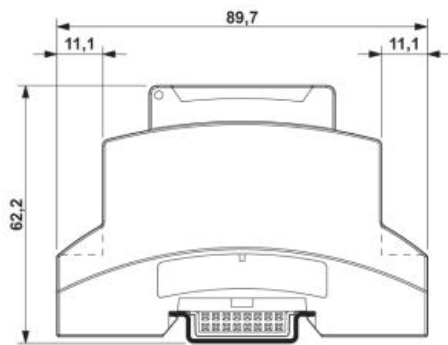
Dimensions / positions

Length	89.7 mm
--------	---------

Width	161.6 mm
Technical data	
Inflammability class acc. to UL 94	V0
Power dissipation at 20°C in the horizontal mounting position	16.95 W

Diagrams/Drawings

Dimensioned drawing



The dimensional drawing shows the item along with the lower part of the housing (terminal installation depth 11.1 mm) and the housing cover

The dimensional drawing shows the item along with the lower part of the housing (terminal installation depth 22.35 mm) and the housing cover

Address

PHOENIX CONTACT Inc., USA
586 Fulling Mill Road
Middletown, PA 17057, USA
Phone (800) 888-7388
Fax (717) 944-1625
<http://www.phoenixcon.com>



© 2010 Phoenix Contact
Technical modifications reserved;